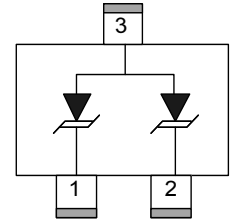
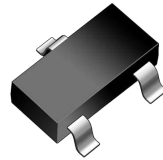


### Features

- 40Watts peak pulse power ( $t_p = 8/20\mu s$ )
- SOT-523 package
- Unidirectional configurations
- Low clamping voltage
- Low leakage current
- Medium capacitance ( $C_j=0.35pF$  typ.)
- Protection one data/power line to:
  - IEC 61000-4-2  $\pm 15kV$  contact  $\pm 20kV$  air
  - IEC 61000-4-4 (EFT) 40A (5/50ns)
  - IEC 61000-4-5 (Lightning) 3.5A (8/20 $\mu s$ )



### Mechanical Data

- **Case:** SOT-523 (plastic package).  
Lead free; RoHS compliant; Halogen free
- **Molding Compound Flammability Rating:**  
UL 94 V-0
- **Terminals:** High temperature soldering guaranteed:  
260 °C/10 sec. at terminals

### Applications

- Dateline
- Automatic Teller Machines
- Net works
- High Definition Multi-Media Interface (HDMI)
- Digital Visual Interface (DVI)
- Other electronics equipments Communication systems

### Absolute Maximum Ratings

Ratings at 25 °C, ambient temperature unless otherwise specified

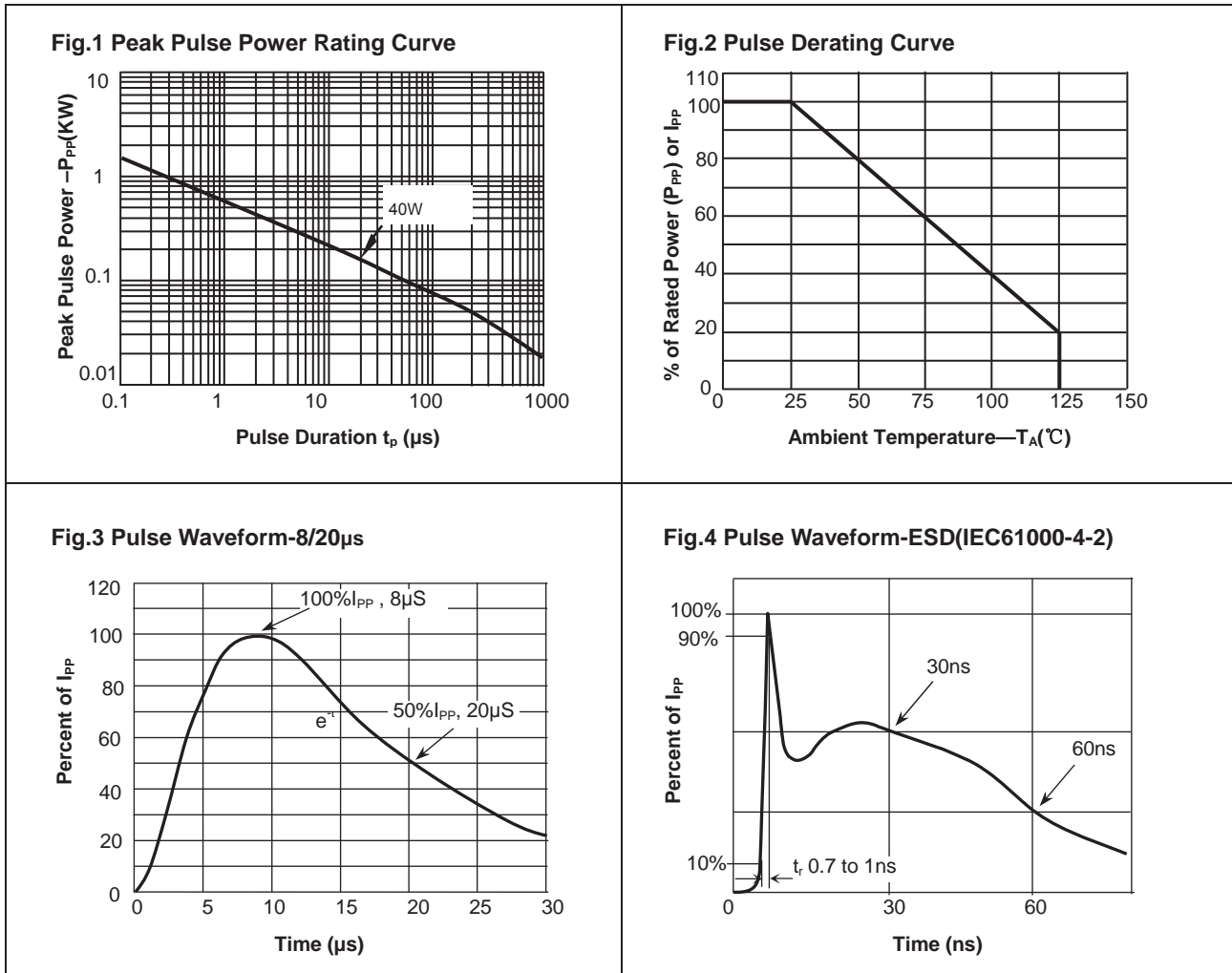
Parameter	Symbol	Value	Unit
Peak Pulse Power ( $T_P=8/20\mu S$ )	$P_{PP}$	40	W
ESD contact/air discharge (IEC-61000-4-2)	$V_{ESD}$	15/20	kV
Peak Pulse Current ( $t_P = 8/20\mu S$ )	$I_{PP}$	3.5	A
Junction Temperature	$T_J$	-55 to +125	°C
Storage temperature	$T_{STG}$	-55 to +150	°C

### Electrical Characteristics

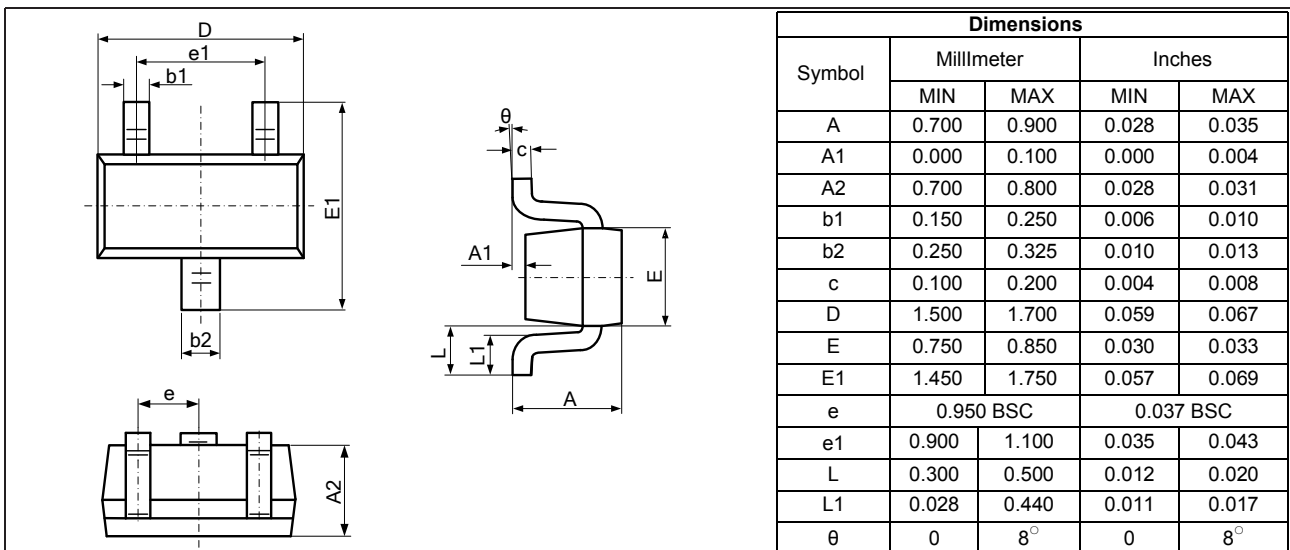
( $T_A = 25$  °C unless otherwise specified)

Parameter	Symbol	Condition	Min	Typ	Max	Unit
Reverse stand-off Voltage	$V_{RWM}$				5.0	V
Reverse Breakdown Voltage	$V_{BR}$	$I_T=1mA$	6.0			V
Reverse Leakage Current	$I_R$	$V_R=5.0V$			0.5	$\mu A$
Clamping Voltage (IEC61000-4-5)	$V_C$	$I_{PP}=1A$			8	V
Clamping Voltage (IEC61000-4-5)	$V_C$	$I_{PP}=3.5A$		10		V
Junction Capacitance	$C_J$	$V_R=0V, f=1MHz$ Pin 1 to Pin 2		0.35		pF
Junction Capacitance	$C_J$	$V_R=0V, f=1MHz$ Pin 1/2 to Pin 3		0.55		pF

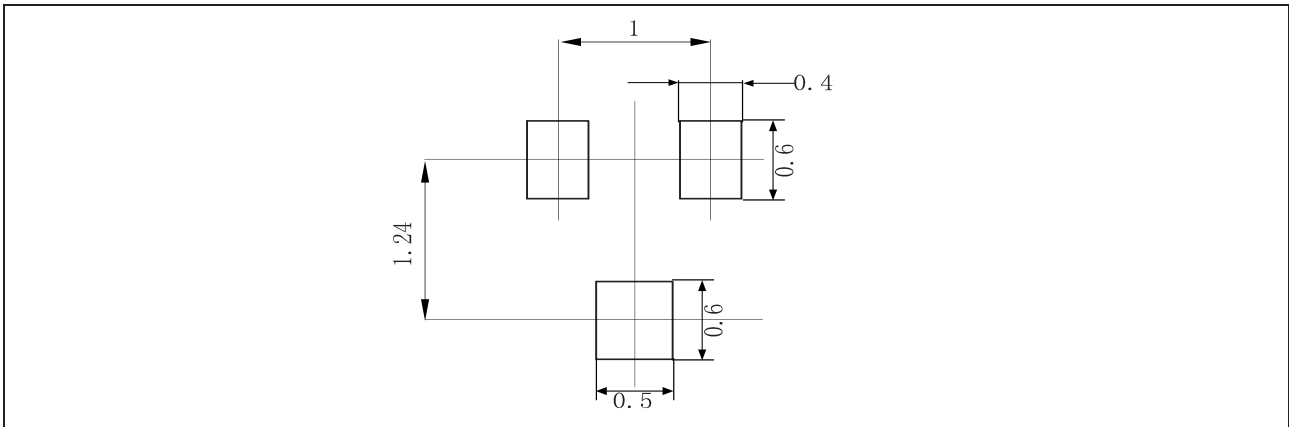
**Typical Characteristics** ( $T_{amb} = 25\text{ }^{\circ}\text{C}$  unless otherwise specified)



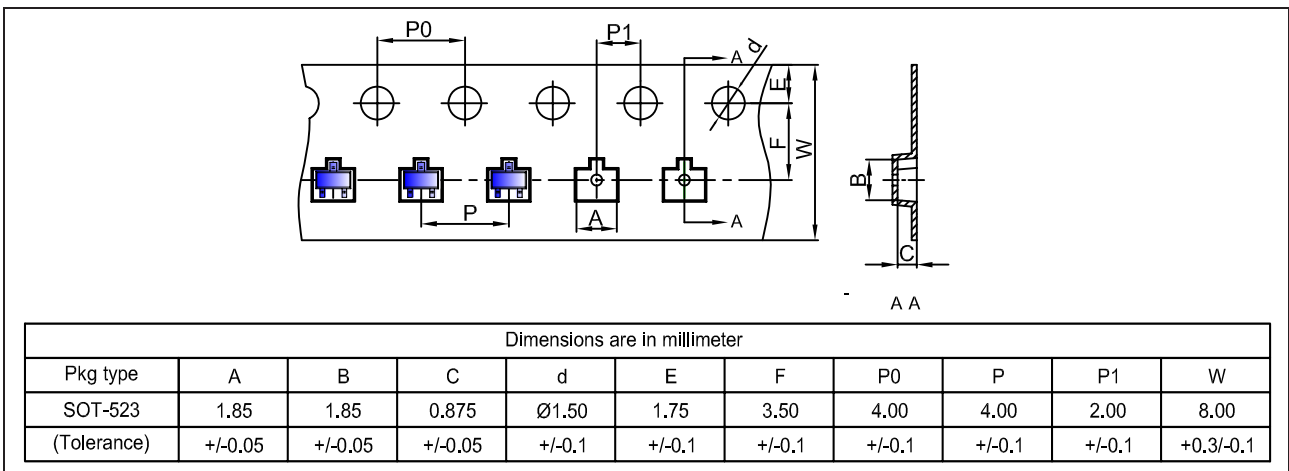
**Package Dimensions**



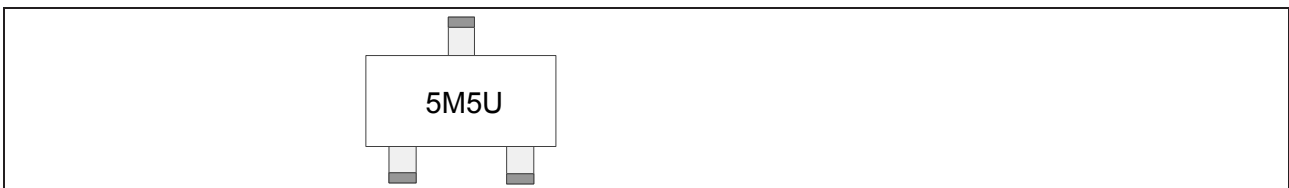
**Pad Dimensions**



**Pad Dimensions**



**Marking**



**Ordering information**

Order code	Package	Packaging option	Base quantity	Packaging specification
YEUST53053A5V	SOT-523	Tape and reel	3000pcs / reel	EIA STD RS-481